

ASSA ABLOY Code Handle Door Long Plate

Electromechanical code handle for doors



Application

For easy and convenient locking/unlocking of interior door.
E.g. Office doors, staffrooms, archives, back office, store applications.

Features

- "Access Filtering"
- Easy locking without keys
- Easy to fit, no cables
- No wiring
- Master code and up to 9 user codes
- Blocking function if wrong code is entered five times
- Auto or manual locking
- "Simplicity creates security"
- With or without Euro cylinder option

Function

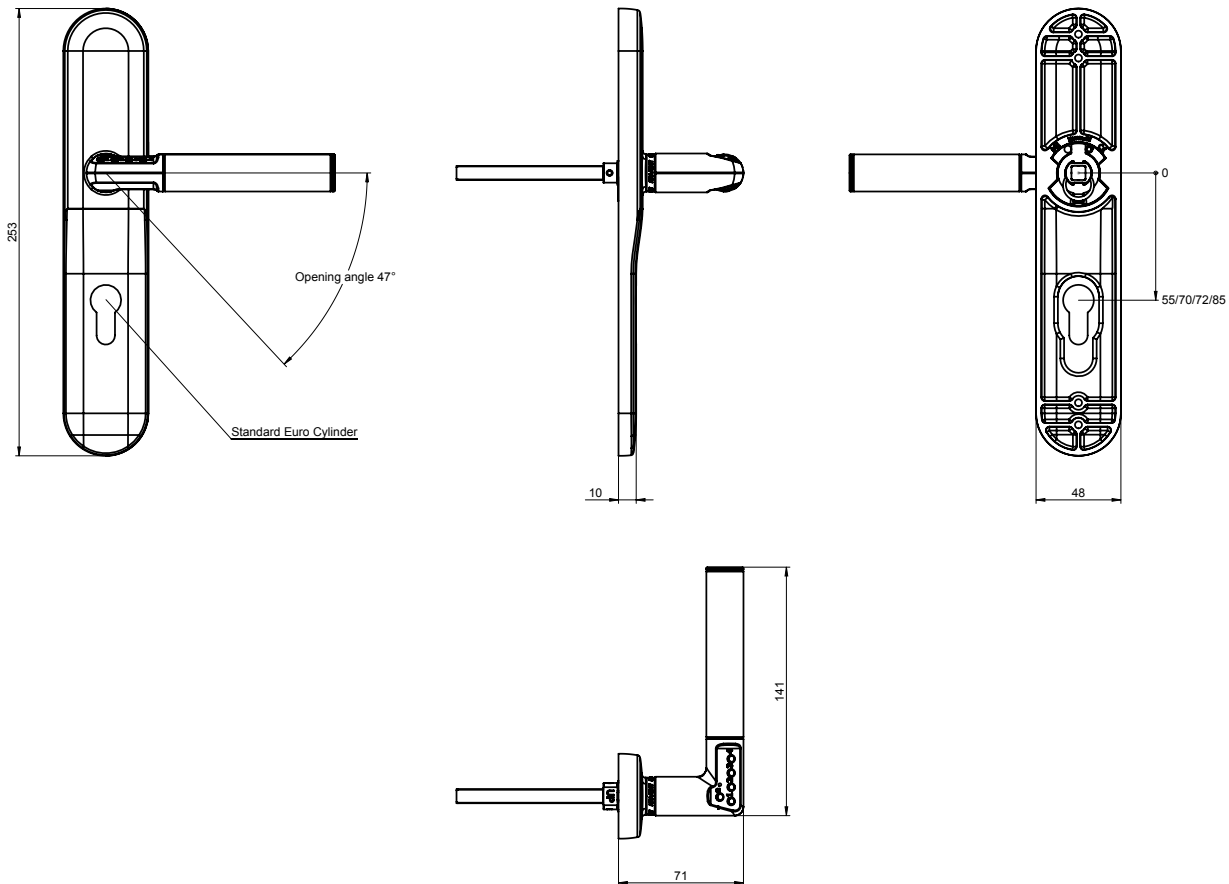
- Indoor use only
- Fit most lock cases
- Two CR2, 3V lithium batteries in the outer handle, (approx 60 000 operations)
- 4-6 digit code
- Material: brushed stainless steel and satin chrome zinc
- Indication for battery change
- Tested to at least 100 000 operations, according to EN 1906
- Fire tested according to EN 1363

ASSA[®]
ASSA ABLOY

ASSA ABLOY Code Handle Door Long Plate

Electromechanical code handle for doors

- 8830 Long Plate, 7/8 mm spindle, No hole
- 8831 Long Plate, 7 mm spindle 70 mm to hole
- 8832 Long Plate, 8 mm spindle 72 mm
- 8833 Long Plate, 8 mm spindle 85 mm
- 8834 Long Plate, 8 mm spindle 55 mm



ASSA[®]

ASSA ABLOY

ASSA ABLOY, the global leader in door opening solutions, dedicated to satisfying end-user needs for security, safety and convenience

ASSA OEM AB
P.O. Box 12199
SE-402 42 Göteborg
Sweden

phone +46 (0)31 704 40 00

info.gbg@assaoem.se
www.assaoem.se

Number	Description	Adopted for locks	Spindle/Keyhole
8830-8	Code Handle Long Plate 8 mm spindle W/O hole	EU	N/A
8830-7	Code Handle Long Plate 7 mm spindle W/O hole	FR	N/A
8831	Code Handle Long Plate 7 mm spindle 70 mm to cylinder centre	FR	70 mm
8832	Code Handle Long Plate 8 mm spindle 72 mm to cylinder centre	EU	72 mm
8833	Code Handle Long Plate 8 mm spindle 85 mm to cylinder centre	EU	85 mm
8834	Code Handle Long Plate 8 mm spindle 55 mm to cylinder centre	NL(EU)	55 mm
8821	Battery hatch incl. spring		

All variants is supplied in a right or left handle version.
All variants can be delivered as a version W/O code.
Code Handle is also available in several Rose versions.